

Going to Renewable Energy

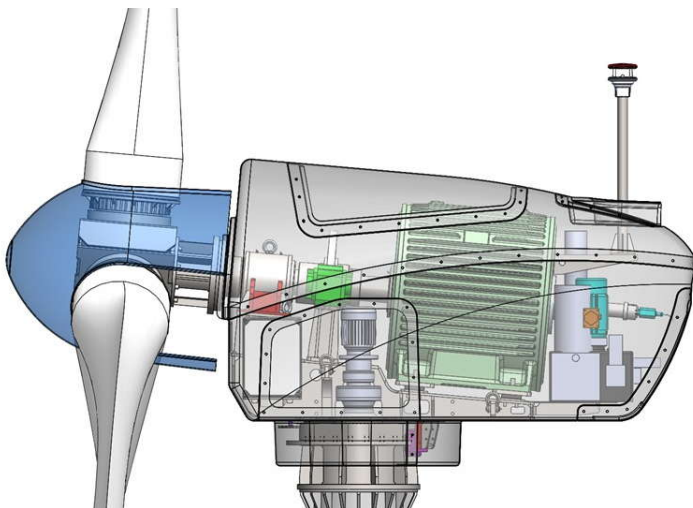


Thunya Power

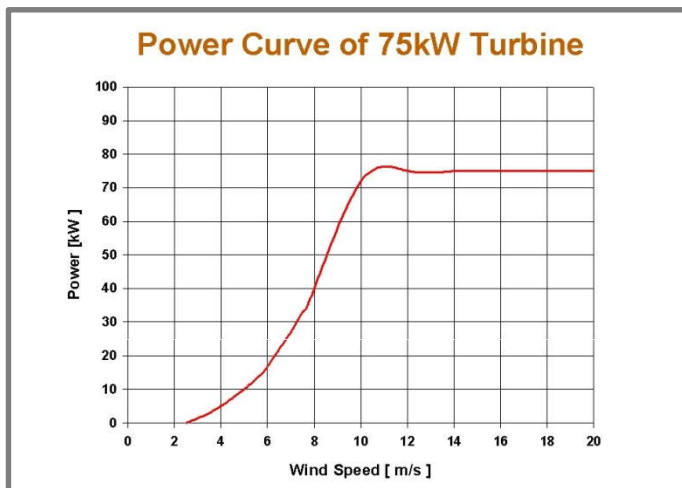
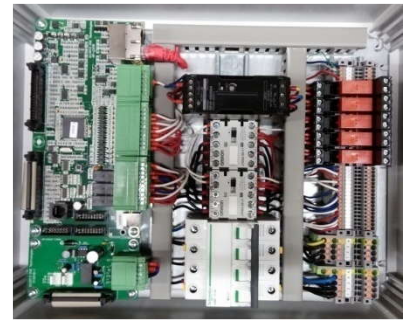
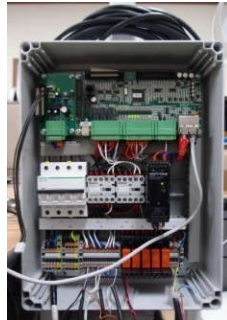
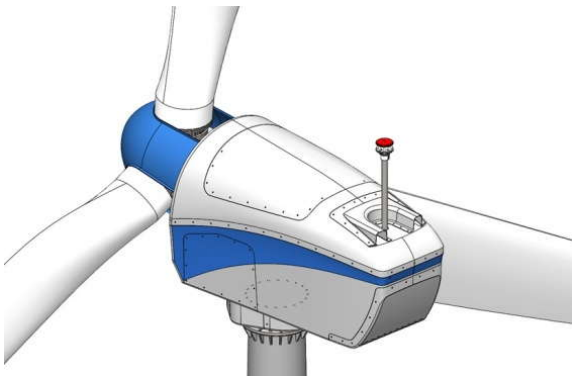


THUNYA-75kW Wind Turbine

- Green & Clean Energy
- Unlimited & Free Energy
- More Cost Effective
- Environmentally Sustainable
- Reliability and Efficiency

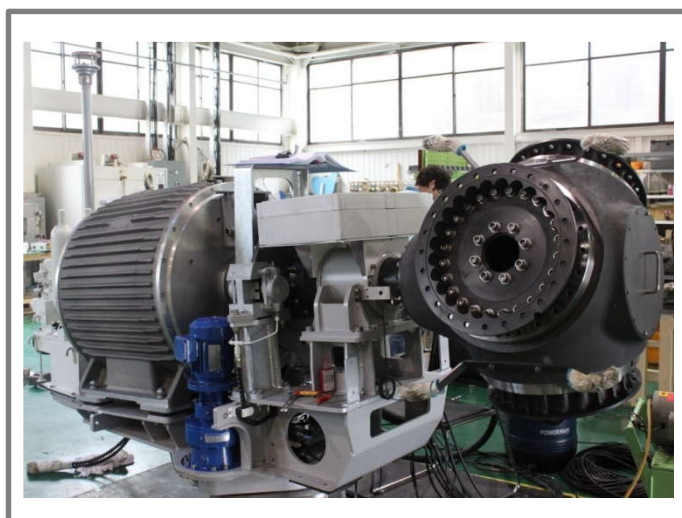
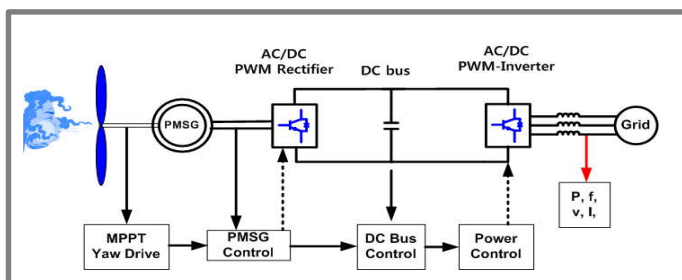


Low Wind Speed Turbine



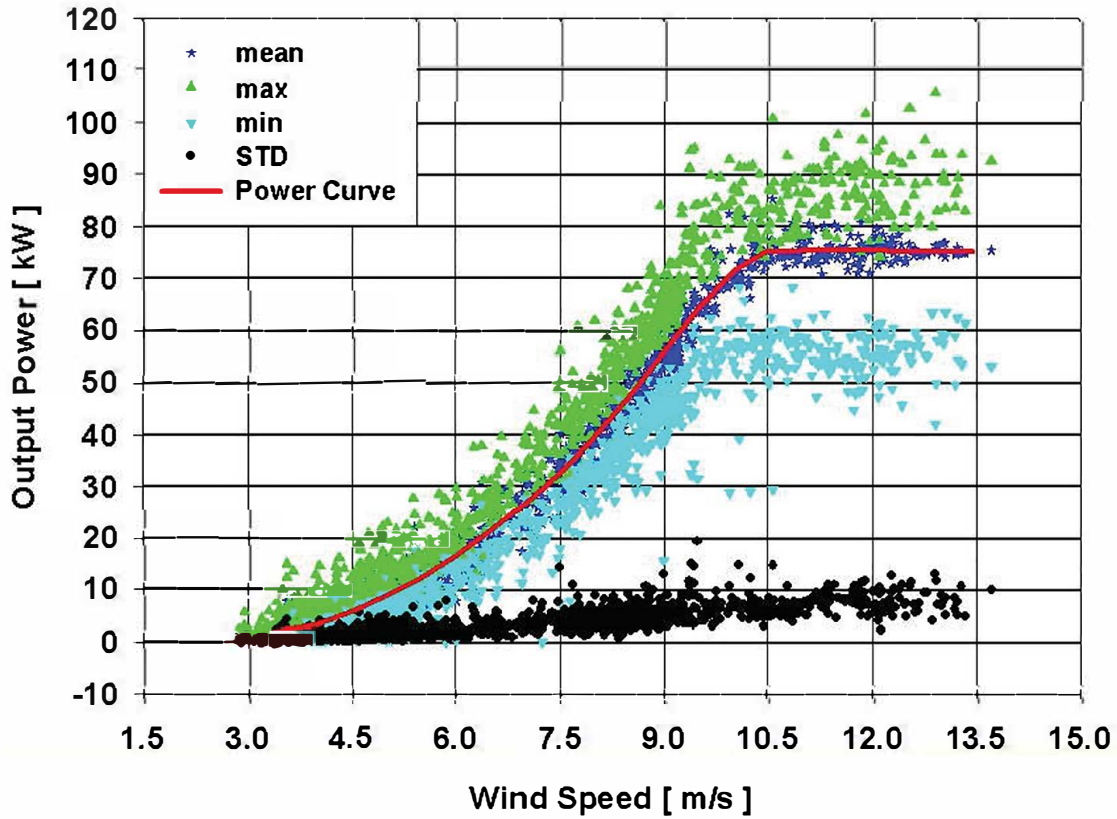
Wind Turbine Specification

Rated Power & Wind speed	75kW@ 10.5m/s
SWT Class	III
Tip Speed Ratio	7
Rotor diameter	19.5 m
Swept Area	298.5 m ²
Rotor RPM	50~60
Cut in Wind speed	2.5 m/s
Hub	Cast Steel
Blade Airfoil	R 1235
Material & Surface Treatment	GFRP/Resin Urethane painting
Brakes	Disc Brake, Pitch, Yaw
Yawing	Active Electric motor
Tower	24~30 m
Design Life	20 yrs
Design Standard	IEC61400-2, 23

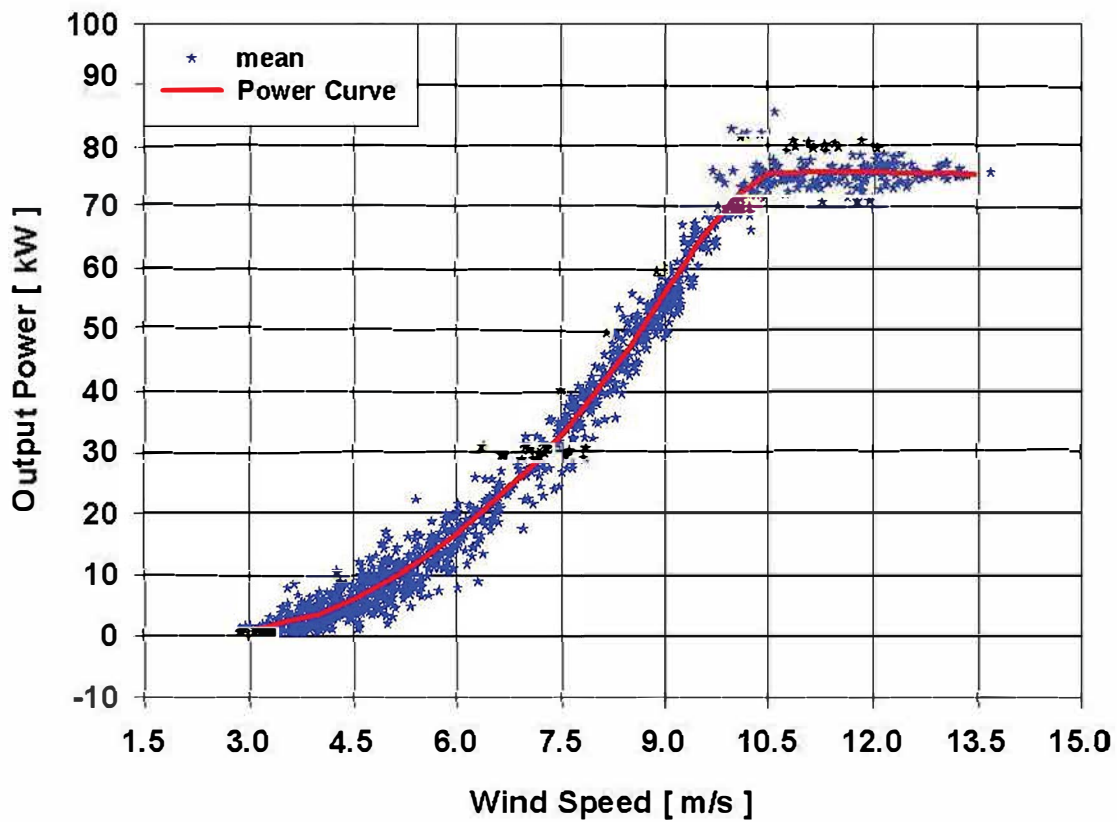


Low Wind Speed Turbine

THUNYA-75kW



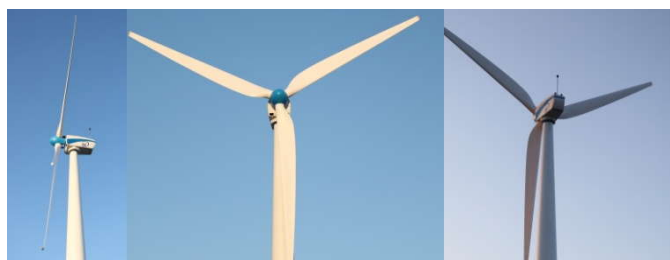
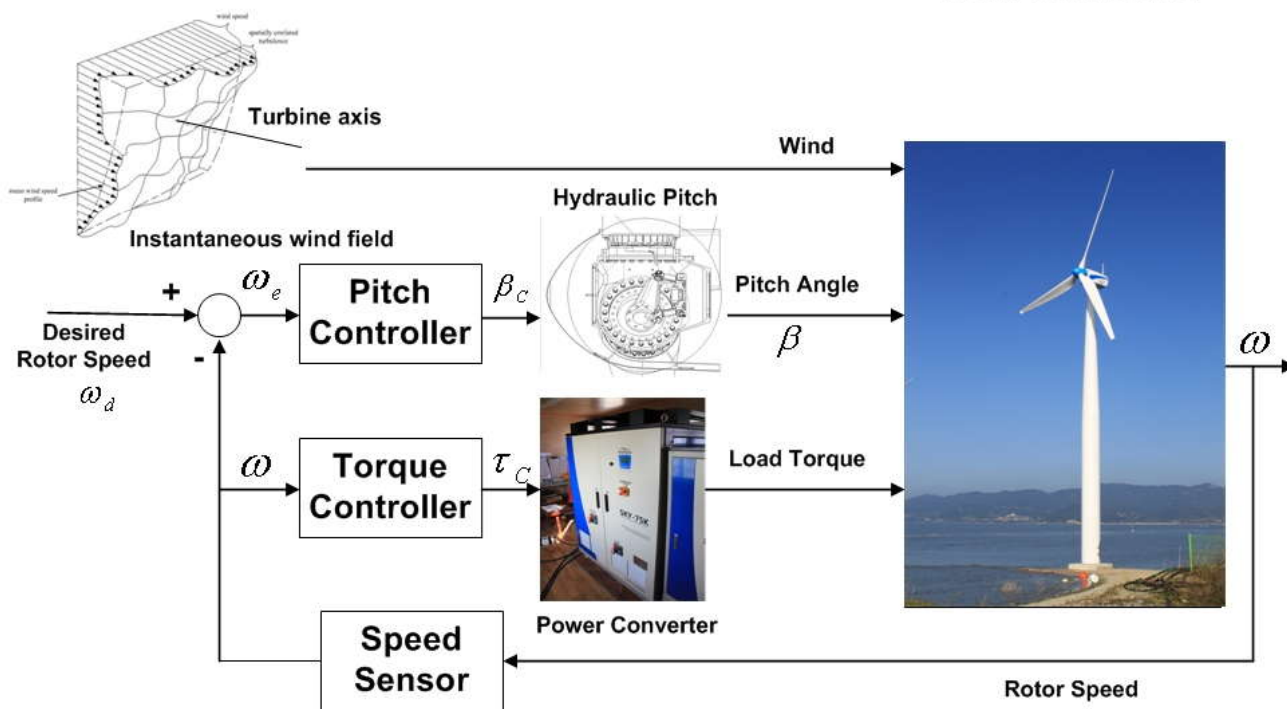
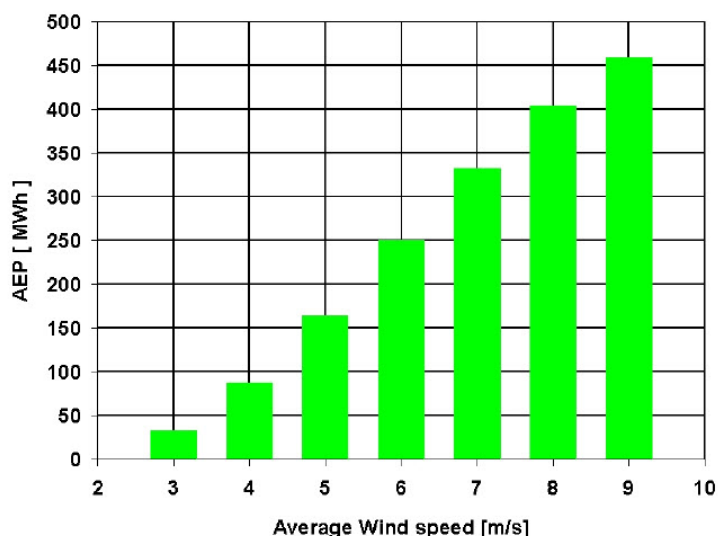
THUNYA-75kW



Low Wind Speed Turbine

- Variable Speed, Pitch controlled
- DD, Permanent magnet synchronous generator
- Active yaw drive system
- High reliability and low maintenance Wind Turbine
- High AEP
- 5 Year Warranty

THUNYA-Annual Energy Production (AEP)



Thunya Power Co.,Ltd
 Tel : 02-1590830
 Fax : 02-1590831
 Email : info@thunypower.co.th
 Website : <http://www.thunypower.co.th>